

SECTION **RSU**
 REAR SUSPENSION

A
B
C
D

RSU

CONTENTS

HOW TO USE THIS MANUAL	3	TYPE A	15	F
HOW TO USE THIS MANUAL	3	TYPE A : Exploded View	15	
Application Notice	3	TYPE B	16	G
SYMPTOM DIAGNOSIS	4	TYPE B : Exploded View	16	
NOISE, VIBRATION AND HARSHNESS		Removal and Installation	18	H
(NVH) TROUBLESHOOTING	4	Disassembly and Assembly	18	
NVH Troubleshooting Chart	4	Inspection	18	
PRECAUTION	5	Disposal	19	
PRECAUTIONS	5	SUSPENSION ARM	20	I
Precautions for Suspension	5	TYPE A	20	
PREPARATION	6	TYPE A : Exploded View	20	J
PREPARATION	6	TYPE B	21	
Special Service Tool	6	TYPE B : Exploded View	21	K
Commercial Service Tool	6	Removal and Installation	23	
PERIODIC MAINTENANCE	7	Inspection	23	L
REAR SUSPENSION ASSEMBLY	7	RADIUS ROD	25	
Inspection	7	TYPE A	25	
WHEEL ALIGNMENT	8	TYPE A : Exploded View	25	M
Inspection	8	TYPE B	26	
Adjustment	8	TYPE B : Exploded View	26	N
REMOVAL AND INSTALLATION	10	Removal and Installation	28	
REAR LOWER LINK & COIL SPRING	10	Inspection	28	O
TYPE A	10	FRONT LOWER LINK	29	
TYPE A : Exploded View	10	TYPE A	29	
TYPE B	12	TYPE A : Exploded View	29	P
TYPE B : Exploded View	12	TYPE B	30	
Removal and Installation	14	TYPE B : Exploded View	30	
Inspection	14	Removal and Installation	32	
REAR SHOCK ABSORBER	15	Inspection	32	
		REAR STABILIZER	33	
		TYPE A	33	
		TYPE A : Exploded View	33	

TYPE B	34	TYPE B : Exploded View	39
TYPE B : Exploded View	34	Removal and Installation	41
Removal and Installation	36	Inspection	41
Inspection	36		
UNIT REMOVAL AND INSTALLATION	37	SERVICE DATA AND SPECIFICATIONS	
		(SDS)	43
REAR SUSPENSION MEMBER	37	SERVICE DATA AND SPECIFICATIONS	
		(SDS)	43
TYPE A	37	Wheel Alignment	43
TYPE A : Exploded View	37	Ball Joint	43
TYPE B	39	Wheelarch Height	43

HOW TO USE THIS MANUAL

< HOW TO USE THIS MANUAL >

HOW TO USE THIS MANUAL

HOW TO USE THIS MANUAL

Application Notice

INFOID:000000009329215

Check vehicle identification number to use the corresponding service information in this manual.

Service information	Destination	Engine	Vehicle identification number
TYPE A	North America	VQ25HR	Up to VIN: JN1DV6AP*CM812890 JN1DV6AR*CM862490
		VQ37VHR	—
	Mexico	—	—
TYPE B	North America	VQ25HR	From VIN: JN1DV6AP*CM812891 JN1DV6AR*CM862491

*: Refer to [GI-24, "Information About Identification or Model Code"](#) to vehicle identification number

A
B
C
D
RSU
F
G
H
I
J
K
L
M
N
O
P

NOISE, VIBRATION AND HARSHNESS (NVH) TROUBLESHOOTING

< SYMPTOM DIAGNOSIS >

SYMPTOM DIAGNOSIS

NOISE, VIBRATION AND HARSHNESS (NVH) TROUBLESHOOTING

NVH Troubleshooting Chart

INFOID:000000009329241

Use chart below to find the cause of the symptom. If necessary, repair or replace these parts.

Symptom		Possible cause and SUSPECTED PARTS														Reference		
		Improper installation, looseness	Shock absorber deformation, damage or deflection	Bushing or mounting deterioration	Parts interference	Spring fatigue	Suspension looseness	Incorrect wheel alignment	Stabilizer bar fatigue	PROPELLER SHAFT	DIFFERENTIAL	REAR AXLE AND REAR SUSPENSION	TIRE	ROAD WHEEL	DRIVE SHAFT		BRAKE	STEERING
REAR SUSPENSION	Noise	x	x	x	x	x	x				x	x	x	x	x	x	x	RSU-10, RSU-12, RSU-15, RSU-16, RSU-20, RSU-21, RSU-25, RSU-26, RSU-29, RSU-30, RSU-33, RSU-34
	Shake	x	x	x	x		x				x		x	x	x			—
	Vibration	x	x	x	x	x				x		x	x		x			RSU-18
	Shimmy	x	x	x	x			x				x	x	x		x		—
	Judder	x	x	x								x	x	x		x		RSU-14
	Poor quality ride or handling	x	x	x	x	x		x	x				x	x	x			RSU-10, RSU-12, RSU-15, RSU-16, RSU-20, RSU-21, RSU-25, RSU-26, RSU-29, RSU-30, RSU-33, RSU-34

x: Applicable

PRECAUTIONS

< PRECAUTION >

PRECAUTION

PRECAUTIONS

Precautions for Suspension

INFOID:000000007463542

- When installing rubber bushings, the final tightening must be carried out under unladen conditions with tires on ground. Spilled oil might shorten the life of rubber bushings. Be sure to wipe off any spilled oil.
- Unladen conditions mean that fuel, engine coolant and lubricant are full. Spare tire, jack, hand tools and mats are in designated positions.
- After servicing suspension parts, be sure to check wheel alignment.
- Self-lock nuts are not reusable. Always use new ones when installing. Since new self-lock nuts are pre-oiled, tighten as they are.

A

B

C

D

RSU

F

G

H

I

J

K

L

M

N

O

P

PREPARATION

< PREPARATION >

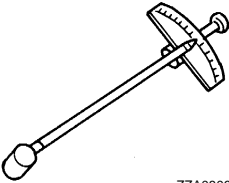
PREPARATION

PREPARATION

Special Service Tool

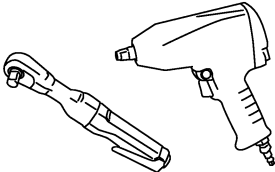
INFOID:000000007463543

The actual shapes of Kent-Moore tools may differ from those of special service tools illustrated here.

Tool number (Kent-Moore No.) Tool name	Description
ST3127S000 (J-25765-A) Preload gauge  ZZA0806D	Measuring rotating torque of ball joint

Commercial Service Tool

INFOID:000000007463544

Tool name	Description
Power tool  PBIC0190E	Loosening bolts and nuts

REAR SUSPENSION ASSEMBLY

< PERIODIC MAINTENANCE >

PERIODIC MAINTENANCE

REAR SUSPENSION ASSEMBLY

Inspection

INFOID:000000007463545

COMPONENT PART

Check the mounting conditions (looseness, backlash) of each component and component conditions (wear, damage) are normal.

Ball Joint Axial End Play

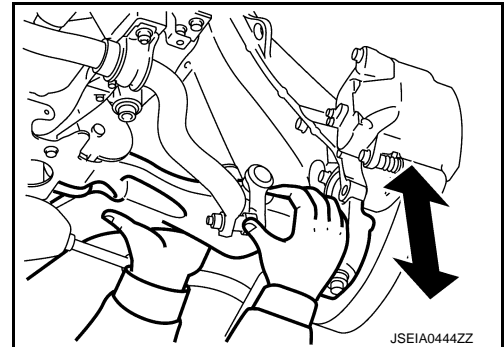
Move axle side of suspension arm in the axial direction by hand.
Check there is no end play.

Standard

Axial end play : Refer to [RSU-43, "Ball Joint"](#).

CAUTION:

- Never depress brake pedal when measuring.
- Never perform with tires on level ground.
- Be careful not to damage ball joint boot. Never damage the installation position by applying excessive force.



SHOCK ABSORBER

Check for oil leakage, damage and replace if malfunction is detected.

WHEEL ALIGNMENT

< PERIODIC MAINTENANCE >

WHEEL ALIGNMENT

Inspection

INFOID:000000007463546

DESCRIPTION

- Measure wheel alignment under unladen conditions.

NOTE:

“Unladen conditions” means that fuel, engine coolant, and lubricant are full. Spare tire, jack, hand tools and mats are in designated positions.

PRELIMINARY CHECK

Check the following:

- Tires for improper air pressure and wear. Refer to [WT-49, "Tire Air Pressure"](#).
- Road wheels for runout.
- Wheel bearing axial end play. Refer to [RAX-5, "Inspection"](#).
- Ball joint axial end play of suspension arm. Refer to [RSU-7, "Inspection"](#).
- Shock absorber operation.
- Each mounting point of axle and suspension for looseness and deformation.
- Each of front lower link, rear lower link, radius rod, rear suspension member, suspension arm and shock absorber for cracks, deformation, and other damage.
- Vehicle height (posture).

GENERAL INFORMATION AND RECOMMENDATIONS

- A four-wheel thrust alignment should be performed.
- This type of alignment is recommended for any NISSAN/INFINITI vehicle.
- The four-wheel “thrust” process helps ensure that the vehicle is properly aligned and the steering wheel is centered.
- The alignment rack itself should be capable of accepting any NISSAN/INFINITI vehicle.
- The rack should be checked to ensure that it is level.
- Make sure the machine is properly calibrated.
- Your alignment equipment should be regularly calibrated in order to give correct information.
- Check with the manufacturer of your specific equipment for their recommended Service/Calibration Schedule.

ALIGNMENT PROCESS

IMPORTANT:

Use only the alignment specifications listed in this Service Manual.

- When displaying the alignment settings, many alignment machines use “indicators”: (Green/red, plus or minus, Go/No Go). **Never use these indicators.**
- The alignment specifications programmed into your machine that operate these indicators may not be correct.
- This may result in an ERROR.
- Most camera-type alignment machines are equipped with both “Rolling Compensation” method and optional “Jacking Compensation” method to “compensate” the alignment targets or head units. “Rolling Compensation” is the preferred method.
- If using the “Rolling Compensation” method, after installing the alignment targets or head units, push or pull on the rear wheel to move the vehicle. **Do not push or pull on the vehicle body.**
- If using the “Jacking Compensation” method, after installing the alignment targets or head units, raise the vehicle and rotate the wheels 1/2 turn both ways.

NOTE:

- Do not use the “Rolling Compensation” method if you are using sensor-type alignment equipment.
- Follow all instructions for the alignment machine you're using for more information.

Adjustment

INFOID:000000007700842

CAMBER

WHEEL ALIGNMENT

< PERIODIC MAINTENANCE >

- If outside the standard value, adjust with adjusting bolt (1) in front lower link (2).

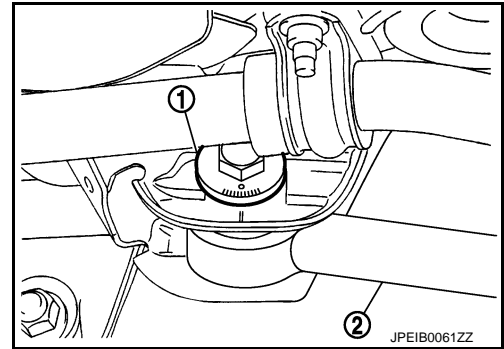
Standard

Camber: Refer to [FSU-45, "Wheel Alignment"](#).

CAUTION:

After adjusting camber, be sure to check toe-in.

- If camber is not still within the specification, inspect and replace any damaged or worn suspension parts.



TOE-IN

- If toe-in is not within the specification, adjust with adjusting bolt (1) in rear lower link (2).

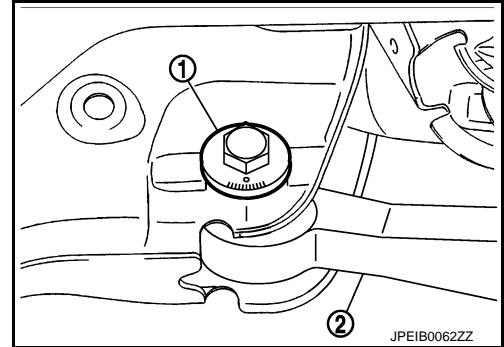
Standard

Toe-In: Refer to [FSU-45, "Wheel Alignment"](#).

CAUTION:

Be sure to adjust equally on RH and LH side with adjusting bolt.

- If toe-in is not still within the specification, inspect and replace any damaged or worn suspension parts.
- After toe-in adjustment, adjust neutral position of steering angle sensor. Refer to [BRC-9, "ADJUSTMENT OF STEERING ANGLE SENSOR NEUTRAL POSITION : Special Repair Requirement"](#).



A
B
C
D

RSU

F
G
H

I
J
K
L
M
N
O
P

REAR LOWER LINK & COIL SPRING

< REMOVAL AND INSTALLATION >

REMOVAL AND INSTALLATION

REAR LOWER LINK & COIL SPRING

TYPE A

TYPE A : Exploded View

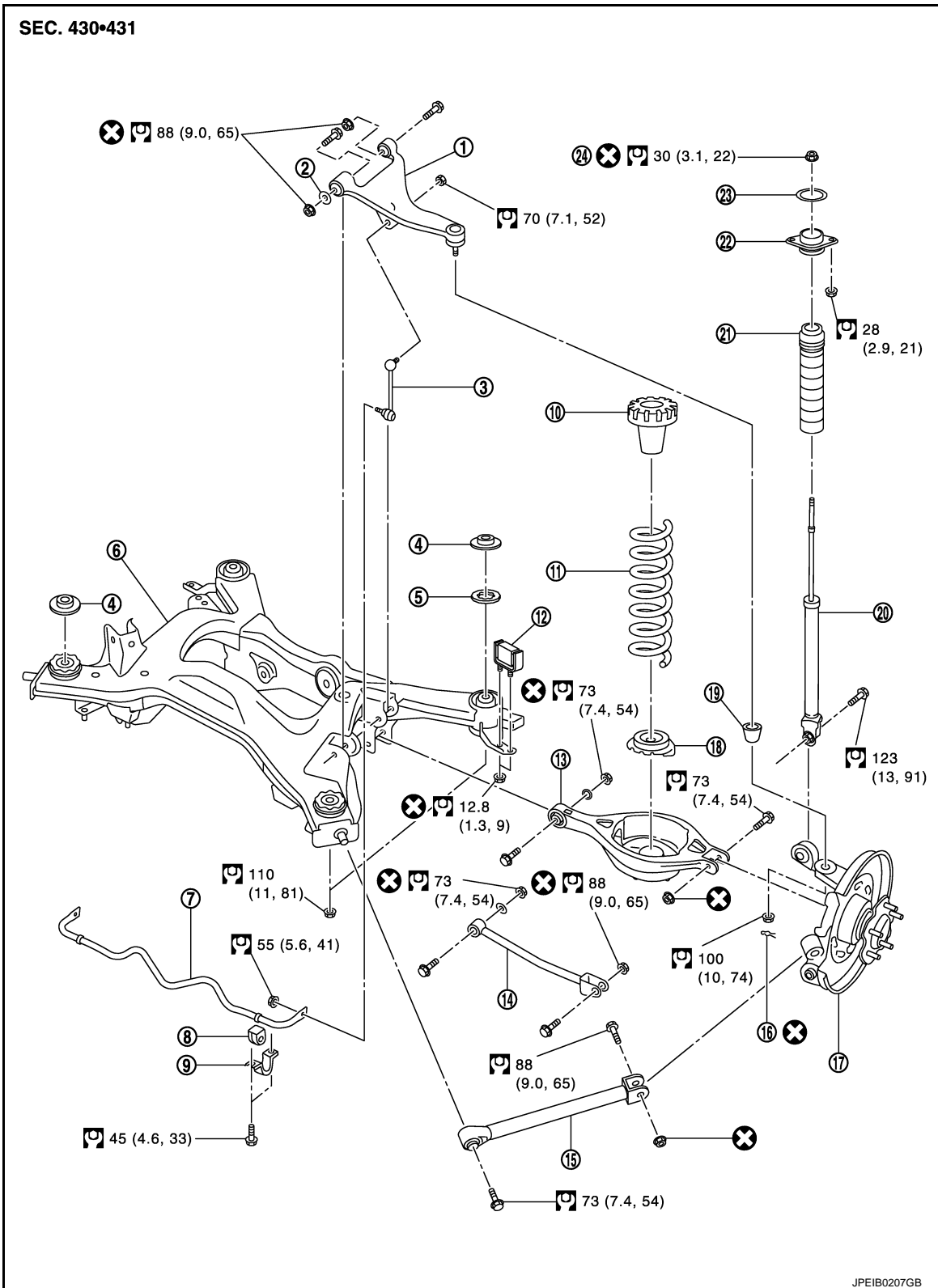
INFOID:000000007463547

NOTE:

About the type, refer to [RSU-3, "Application Notice"](#).

REAR LOWER LINK & COIL SPRING

< REMOVAL AND INSTALLATION >



- | | | |
|------------------------------|-----------------------|---------------------------------|
| 1. Suspension arm | 2. Stopper rubber | 3. Stabilizer connecting rod |
| 4. Upper stopper (AWD model) | 5. Mount stopper | 6. Suspension member |
| 7. Stabilizer bar | 8. Stabilizer bushing | 9. Stabilizer clamp |
| 10. Upper seat | 11. Coil spring | 12. Damper assembly (AWD model) |
| 13. Rear lower link | 14. Front lower link | 15. Radius rod |
| 16. Cotter pin | 17. Axle assembly | 18. Rubber seat |

A
B
C
D
RSU
F
G
H
I
J
K
L
M
N
O
P

REAR LOWER LINK & COIL SPRING

< REMOVAL AND INSTALLATION >

- | | | |
|-------------------------------------|--------------------|-------------------------|
| 19. Ball seat | 20. Shock absorber | 21. Bound bumper cover |
| 22. Shock absorber mounting bracket | 23. Mounting seal | 24. Piston rod lock nut |
- Refer to [GI-4. "Components"](#) for symbols in the figure.

TYPE B

TYPE B : Exploded View

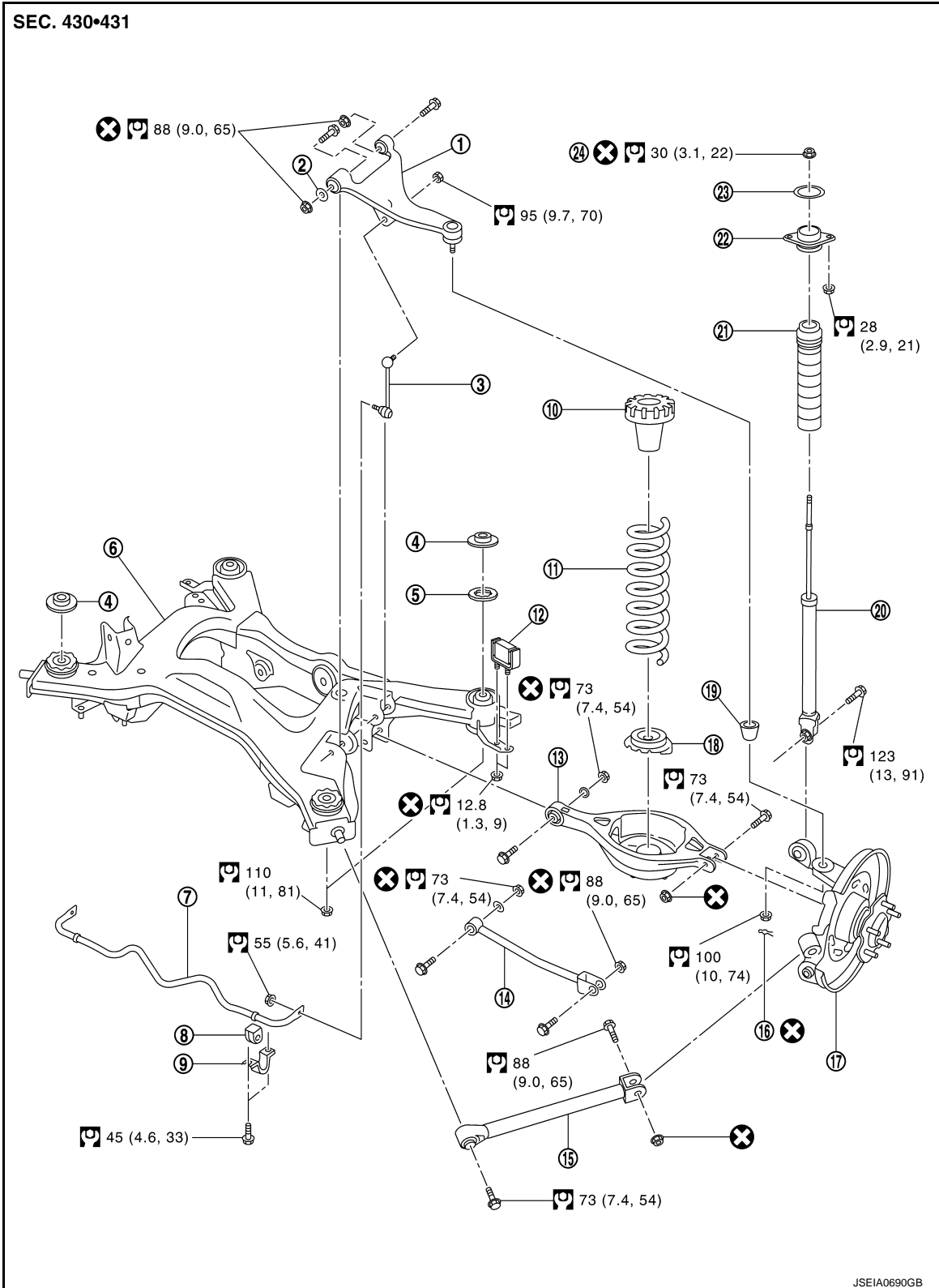
INFOID:000000009326301

NOTE:

About the type, refer to [RSU-3. "Application Notice"](#).

REAR LOWER LINK & COIL SPRING

< REMOVAL AND INSTALLATION >



- | | | |
|------------------------------|-----------------------|---------------------------------|
| 1. Suspension arm | 2. Stopper rubber | 3. Stabilizer connecting rod |
| 4. Upper stopper (AWD model) | 5. Mount stopper | 6. Suspension member |
| 7. Stabilizer bar | 8. Stabilizer bushing | 9. Stabilizer clamp |
| 10. Upper seat | 11. Coil spring | 12. Damper assembly (AWD model) |
| 13. Rear lower link | 14. Front lower link | 15. Radius rod |
| 16. Cotter pin | 17. Axle assembly | 18. Rubber seat |

A
B
C
D
RSU
F
G
H
I
J
K
L
M
N
O
P

REAR LOWER LINK & COIL SPRING

< REMOVAL AND INSTALLATION >

- | | | |
|-------------------------------------|--------------------|-------------------------|
| 19. Ball seat | 20. Shock absorber | 21. Bound bumper cover |
| 22. Shock absorber mounting bracket | 23. Mounting seal | 24. Piston rod lock nut |
- Refer to [GI-4, "Components"](#) for symbols in the figure.

Removal and Installation

INFOID:000000007463548

REMOVAL

1. Remove tires with power tool.
2. Set suitable jack under rear lower link to relieve the coil spring tension.
3. Loosen rear lower link mounting bolts and nuts (rear suspension member side), and then remove rear lower link mounting bolts and nuts (axle housing side) with power tool.
4. Slowly lower jack, then remove upper seat, coil spring and rubber sheet from rear lower link.
5. Remove rear lower link mounting bolts and nuts (rear suspension member side) to remove rear lower link with power tool.

INSTALLATION

Note the following, and install in the reverse order of removal.

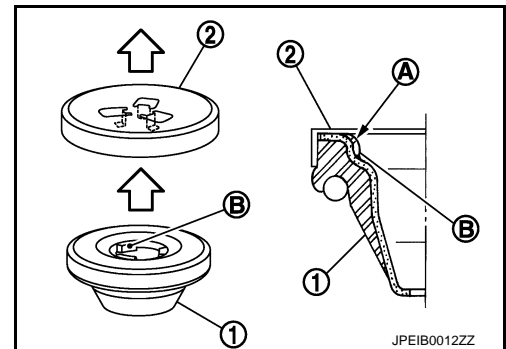
- Make sure that upper seat is attached as shown in the figure.

CAUTION:

Make sure that the projecting parts (A) on upper seat (1) inside is securely fitted on the bracket (2) tabs (B).

⇐: Body

- Match up rubber seat indentions and rear lower link grooves and attach.

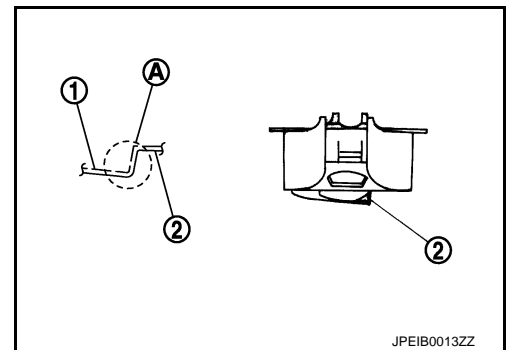


- Install the coil spring by aligning the lower end of the large diameter side to the step (A) between the rubber seat (1) and the rear lower link (2).

CAUTION:

Make sure spring is not up side down. The top and bottom are indicated by paint color.

- Perform the final tightening of rear suspension member and axle installation position (rubber bushing) under unladen condition with tires on level ground.



Inspection

INFOID:000000007463549

INSPECTION AFTER REMOVAL

Check rear lower link, bushing and coil spring for deformation, crack, and damage. Replace it if necessary.

INSPECTION AFTER INSTALLATION

Check wheel alignment. Refer to [RSU-8, "Inspection"](#).

REAR SHOCK ABSORBER

< REMOVAL AND INSTALLATION >

REAR SHOCK ABSORBER

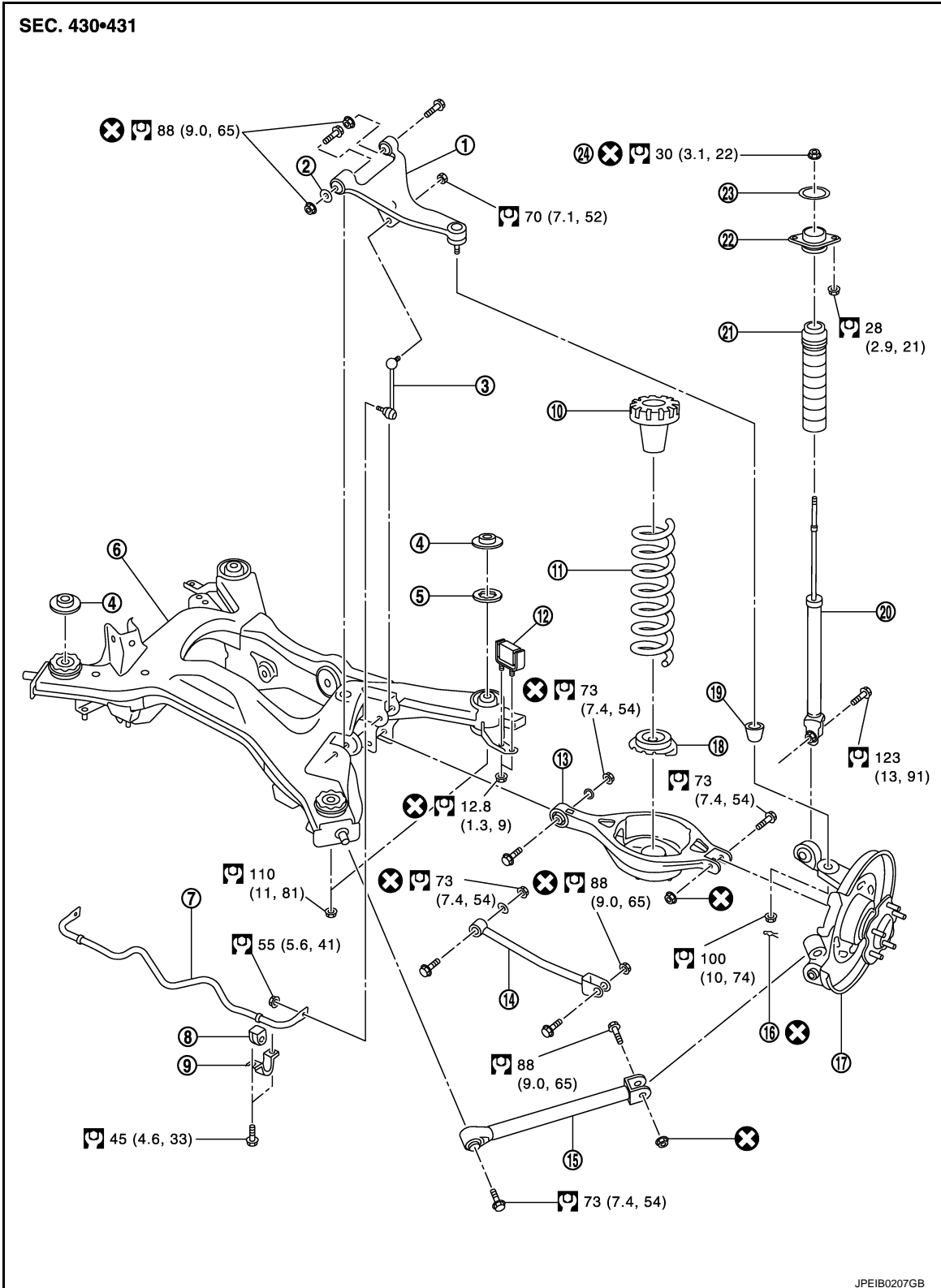
TYPE A

TYPE A : Exploded View

INFOID:000000009329218

NOTE:

About the type, refer to [RSU-3, "Application Notice"](#).



A

B

C

D

RSU

F

G

H

I

J

K

L

M

N

O

P

REAR SHOCK ABSORBER

< REMOVAL AND INSTALLATION >

- | | | |
|-------------------------------------|-----------------------|---------------------------------|
| 1. Suspension arm | 2. Stopper rubber | 3. Stabilizer connecting rod |
| 4. Upper stopper (AWD model) | 5. Mount stopper | 6. Suspension member |
| 7. Stabilizer bar | 8. Stabilizer bushing | 9. Stabilizer clamp |
| 10. Upper seat | 11. Coil spring | 12. Damper assembly (AWD model) |
| 13. Rear lower link | 14. Front lower link | 15. Radius rod |
| 16. Cotter pin | 17. Axle assembly | 18. Rubber seat |
| 19. Ball seat | 20. Shock absorber | 21. Bound bumper cover |
| 22. Shock absorber mounting bracket | 23. Mounting seal | 24. Piston rod lock nut |

Refer to [GI-4, "Components"](#) for symbols in the figure.

TYPE B

TYPE B : Exploded View

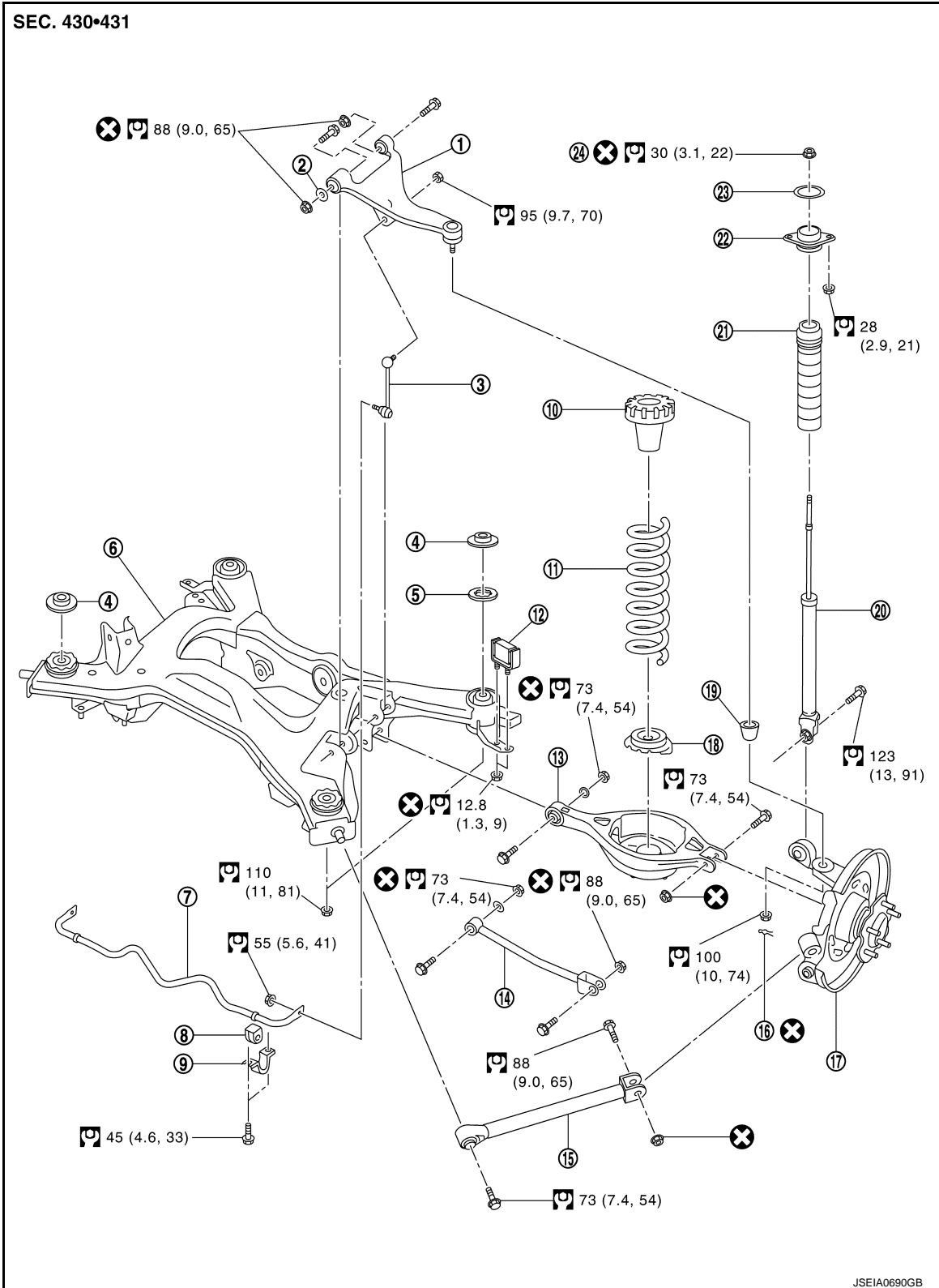
INFOID:000000009329219

NOTE:

About the type, refer to [RSU-3, "Application Notice"](#).

REAR SHOCK ABSORBER

< REMOVAL AND INSTALLATION >



- | | | |
|------------------------------|-----------------------|---------------------------------|
| 1. Suspension arm | 2. Stopper rubber | 3. Stabilizer connecting rod |
| 4. Upper stopper (AWD model) | 5. Mount stopper | 6. Suspension member |
| 7. Stabilizer bar | 8. Stabilizer bushing | 9. Stabilizer clamp |
| 10. Upper seat | 11. Coil spring | 12. Damper assembly (AWD model) |
| 13. Rear lower link | 14. Front lower link | 15. Radius rod |
| 16. Cotter pin | 17. Axle assembly | 18. Rubber seat |

A
B
C
D
RSU
F
G
H
I
J
K
L
M
N
O
P

REAR SHOCK ABSORBER

< REMOVAL AND INSTALLATION >

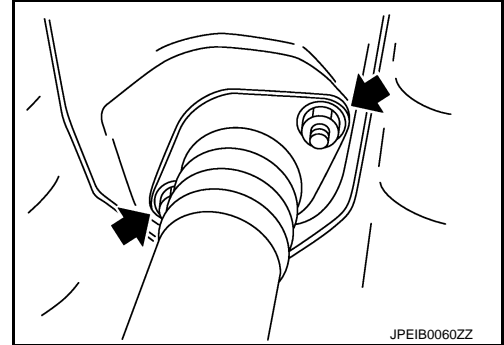
- | | | |
|-------------------------------------|--------------------|-------------------------|
| 19. Ball seat | 20. Shock absorber | 21. Bound bumper cover |
| 22. Shock absorber mounting bracket | 23. Mounting seal | 24. Piston rod lock nut |
- Refer to [GI-4, "Components"](#) for symbols in the figure.

Removal and Installation

INFOID:000000007463551

REMOVAL

1. Remove tires with power tool.
2. Set suitable jack under axle assembly to relieve the coil spring tension.
3. Remove shock absorber (lower side).
4. Gradually lower the jack to remove it from rear lower link.
5. Remove shock absorber assembly mounting nuts (upper side) (←) with power tool, and then remove shock absorber assembly.



INSTALLATION

Note the following, and install in the reverse order of removal.

- Perform final tightening of bolts and nuts at the shock absorber lower side (rubber bushing), under unladen conditions with tires on level ground.

Disassembly and Assembly

INFOID:000000007463552

DISASSEMBLY

CAUTION:

Never damage shock absorber piston rod when removing components from shock absorber.

1. Wrap a shop cloth around lower side of shock absorber and fix it with a vise.

CAUTION:

Never set the cylindrical part of shock absorber with a vise.

2. Secure the piston rod tip so that piston rod does not turn, and remove piston rod lock nut.
3. Remove mounting seal, mounting bracket and bound bumper cover from shock absorber.

ASSEMBLY

Install in the reverse order of removal.

Inspection

INFOID:000000007463553

INSPECTION AFTER REMOVAL

Check the following items, and replace the part if necessary.

- Check shock absorber assembly for deformation, cracks, damage.
- Check welded and sealed areas for oil leakage.

INSPECTION AFTER DISASSEMBLY

Bound Bumper and Bushing

Check bound bumper cover and bushing for cracks and damage. Replace if necessary.

Shock Absorber

Check the following, and replace the part if necessary.

- Shock absorber for deformation, cracks, and other damage.
- Piston rod for damage, uneven wear, and distortion.

INSPECTION AFTER ASSEMBLY

REAR SHOCK ABSORBER

< REMOVAL AND INSTALLATION >

Make sure piston rod on shock absorber is not damaged when attaching components to shock absorber.

INSPECTION AFTER INSTALLATION

Check wheel alignment. Refer to [RSU-8, "Inspection"](#).

Disposal

INFOID:000000007463554

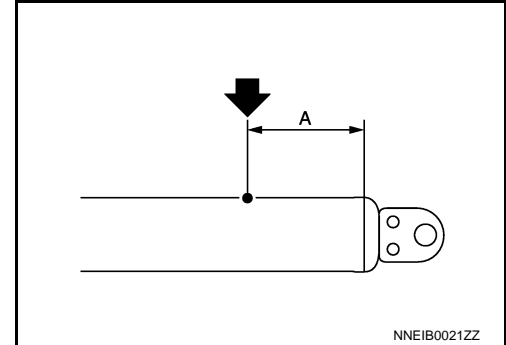
1. Set shock absorber horizontally with the piston rod fully extended.
2. Drill 2 – 3 mm (0.08 – 0.12 in) hole at the position (●) from top as shown in the figure to release gas gradually.

CAUTION:

- Wear eye protection (safety glasses).
- Wear gloves.
- Be careful with metal chips or oil blown out by the compressed gas.

NOTE:

- Drill vertically in this direction (←).
- Directly to the outer tube avoiding brackets.
- The gas is clear, colorless, odorless, and harmless.



A : 20 – 30 mm (0.79 – 1.18 in)

3. Position the drilled hole downward and drain oil by moving the piston rod several times.

CAUTION:

Dispose of drained oil according to the law and local regulations.

A
B
C
D
E
F
G
H
I
J
K
L
M
N
O
P

RSU

SUSPENSION ARM

< REMOVAL AND INSTALLATION >

SUSPENSION ARM

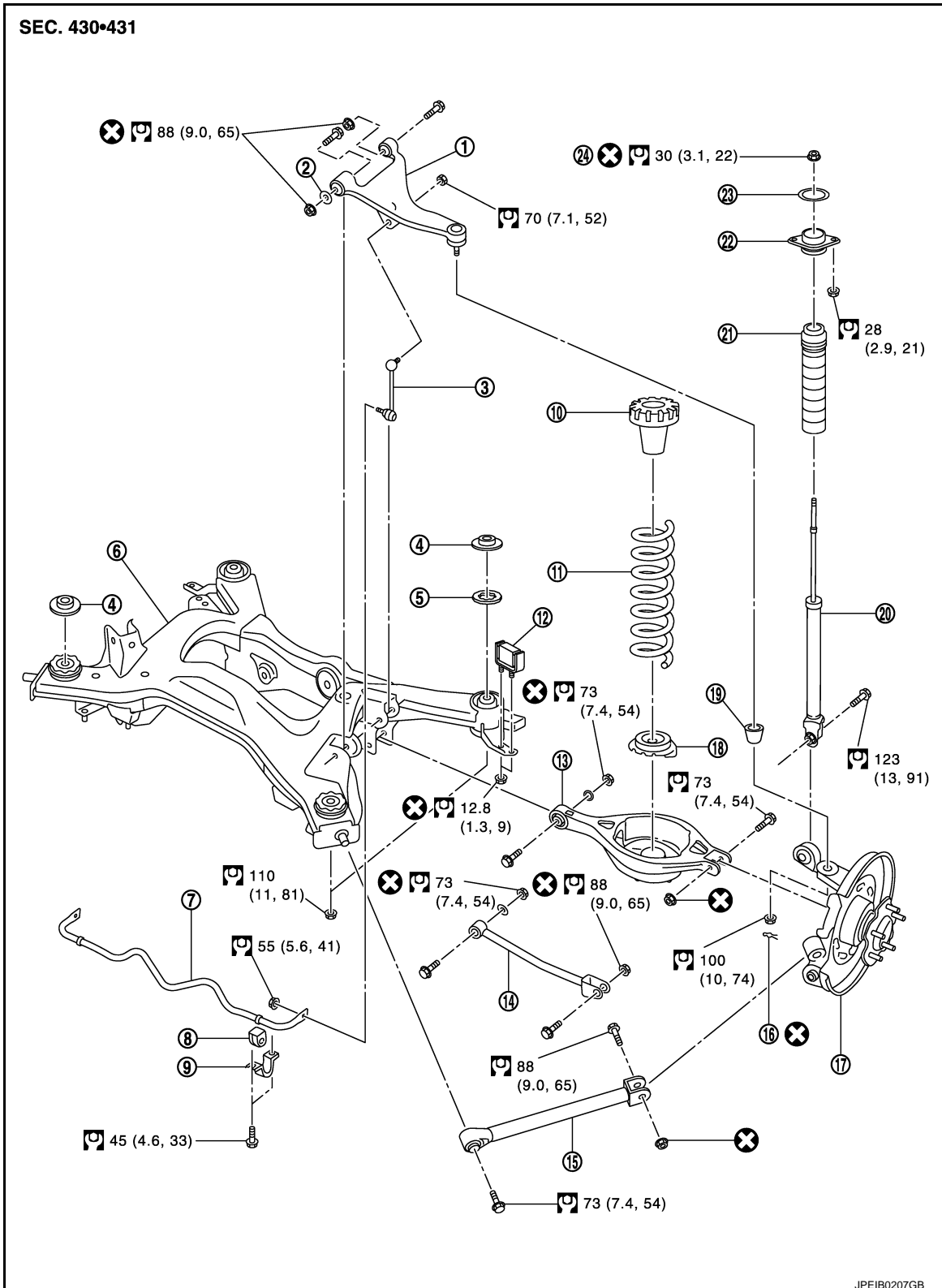
TYPE A

TYPE A : Exploded View

INFOID:000000009329220

NOTE:

About the type, refer to [RSU-3, "Application Notice"](#).



JPEIB0207GB

SUSPENSION ARM

< REMOVAL AND INSTALLATION >

- | | | | |
|-------------------------------------|-----------------------|---------------------------------|---|
| 1. Suspension arm | 2. Stopper rubber | 3. Stabilizer connecting rod | A |
| 4. Upper stopper (AWD model) | 5. Mount stopper | 6. Suspension member | |
| 7. Stabilizer bar | 8. Stabilizer bushing | 9. Stabilizer clamp | |
| 10. Upper seat | 11. Coil spring | 12. Damper assembly (AWD model) | B |
| 13. Rear lower link | 14. Front lower link | 15. Radius rod | |
| 16. Cotter pin | 17. Axle assembly | 18. Rubber seat | |
| 19. Ball seat | 20. Shock absorber | 21. Bound bumper cover | C |
| 22. Shock absorber mounting bracket | 23. Mounting seal | 24. Piston rod lock nut | |

Refer to [GI-4, "Components"](#) for symbols in the figure.

TYPE B

TYPE B : Exploded View

INFOID:000000009329221

RSU

NOTE:

About the type, refer to [RSU-3, "Application Notice"](#).

F

G

H

I

J

K

L

M

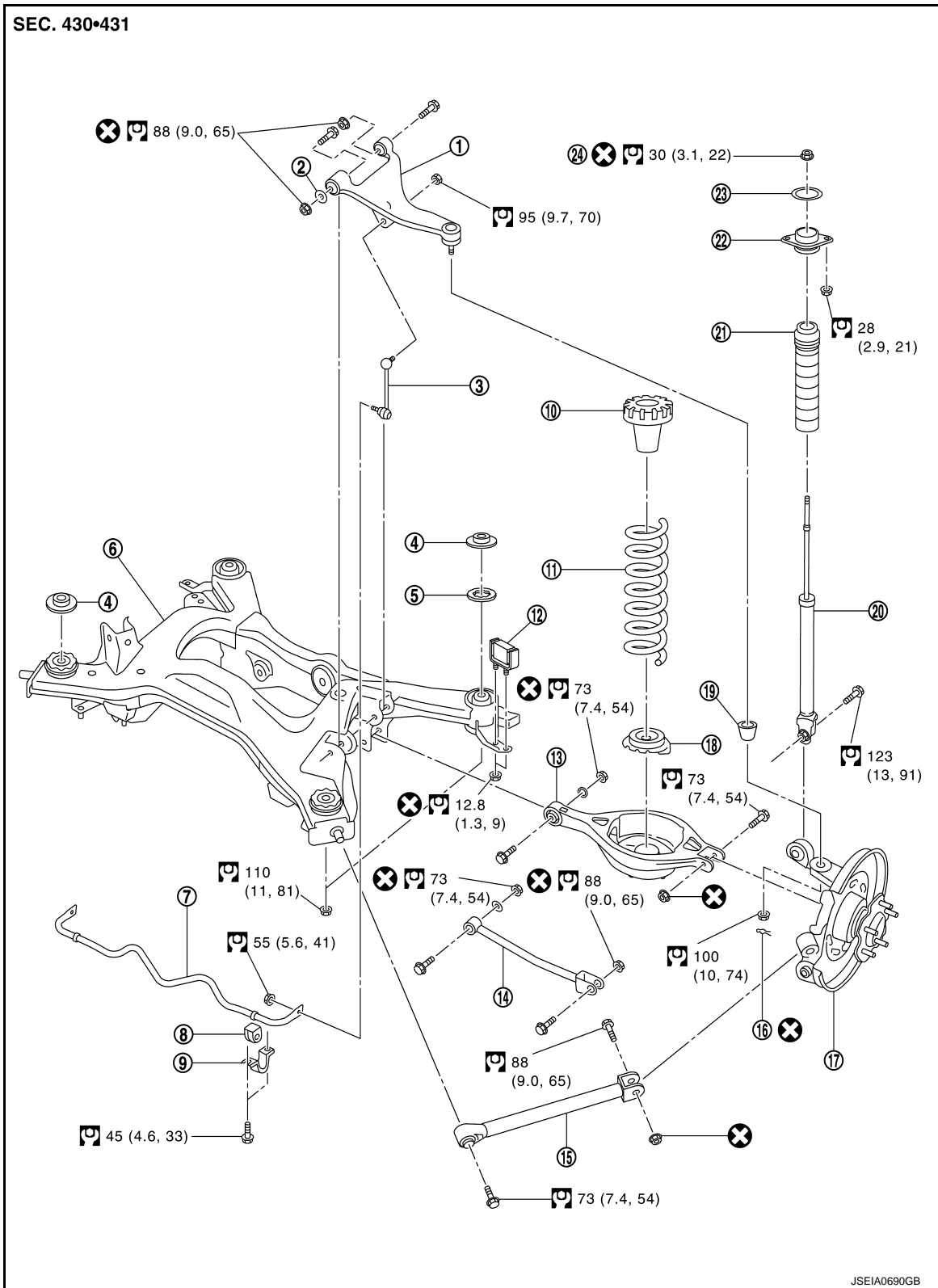
N

O

P

SUSPENSION ARM

< REMOVAL AND INSTALLATION >



- | | | |
|------------------------------|-----------------------|---------------------------------|
| 1. Suspension arm | 2. Stopper rubber | 3. Stabilizer connecting rod |
| 4. Upper stopper (AWD model) | 5. Mount stopper | 6. Suspension member |
| 7. Stabilizer bar | 8. Stabilizer bushing | 9. Stabilizer clamp |
| 10. Upper seat | 11. Coil spring | 12. Damper assembly (AWD model) |
| 13. Rear lower link | 14. Front lower link | 15. Radius rod |
| 16. Cotter pin | 17. Axle assembly | 18. Rubber seat |

SUSPENSION ARM

< REMOVAL AND INSTALLATION >

- | | | |
|-------------------------------------|--------------------|-------------------------|
| 19. Ball seat | 20. Shock absorber | 21. Bound bumper cover |
| 22. Shock absorber mounting bracket | 23. Mounting seal | 24. Piston rod lock nut |
- Refer to [GI-4, "Components"](#) for symbols in the figure.

Removal and Installation

INFOID:000000007463556

REMOVAL

1. Remove tire with power tool.
2. Remove caliper assembly. Hang caliper assembly in a place where it will not interfere with work. Refer to [BR-61, "BRAKE CALIPER ASSEMBLY \(1 PISTON TYPE\) : Exploded View"](#) (1 piston type), [BR-65, "BRAKE CALIPER ASSEMBLY \(2 PISTON TYPE\) : Exploded View"](#) (2 piston type).
3. Set suitable jack under axle assembly to relieve the coil spring tension.
4. Remove connecting rod mounting bracket from suspension arm with power tool.
5. Remove drive shaft. Refer to [RAX-10, "Exploded View"](#).
6. Remove cotter pin of suspension arm ball joint, and loosen nut.
7. Remove suspension mounting bolts and nuts (rear suspension member side).
8. Use the ball joint remover to remove suspension arm from axle assembly. Be careful not to damage ball joint boot.
CAUTION:
Tighten temporarily mounting nut to prevent damage to threads and to prevent ball joint remover from coming off.
9. Remove suspension arm.

INSTALLATION

Note the following and, install in the reverse order of removal.

- Perform final tightening of rear suspension member installation position (rubber bussing), under unladen conditions with tires on level ground.
- Never reuse cotter pin.

Inspection

INFOID:000000007463557

INSPECTION AFTER REMOVAL

Appearance

Check the following items, and replace the part if necessary.

- Check suspension arm and bushing for deformation, cracks or damage.
- Check boot of ball joint for cracks or damage, and also for grease leakage.

Ball Joint Inspection

Manually move ball stud at least ten times by hand to check for smooth movement.

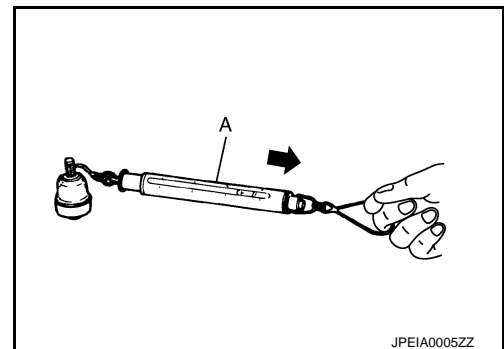
Swing Torque Inspection

- Hook spring balance (A) at cotter pin mounting hole. Confirm spring balance measurement value is within specifications when ball stud begins moving.

Standard

Swing torque : Refer to [RSU-43, "Ball Joint"](#).

- If it is outside the specified range, replace suspension arm assembly.



Rotating Torque Inspection

SUSPENSION ARM

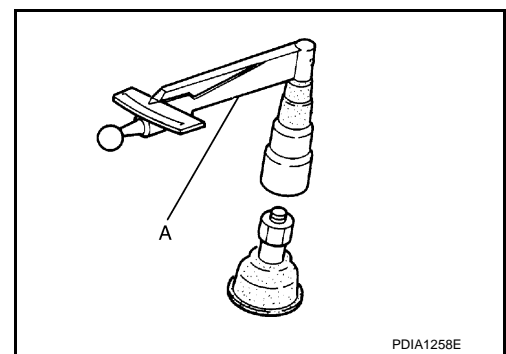
< REMOVAL AND INSTALLATION >

- Attach the mounting nut to ball stud. Make sure that rotating torque is within the specifications with a preload gauge (A) [SST:ST3127S000 (J-25765-A)].

Standard

Rotating torque : Refer to [RSU-43, "Ball Joint"](#).

- If it is outside the specified range, replace suspension arm assembly.



Axial End Play Inspection

- Move tip of ball stud in axial direction to check for looseness.

Standard

Axial end play : Refer to [RSU-43, "Ball Joint"](#).

- If it is outside the specified range, replace suspension arm assembly.

INSPECTION AFTER INSTALLATION

Check wheel alignment. Refer to [RSU-8, "Inspection"](#).

RADIUS ROD

< REMOVAL AND INSTALLATION >

- | | | |
|-------------------------------------|-----------------------|---------------------------------|
| 1. Suspension arm | 2. Stopper rubber | 3. Stabilizer connecting rod |
| 4. Upper stopper (AWD model) | 5. Mount stopper | 6. Suspension member |
| 7. Stabilizer bar | 8. Stabilizer bushing | 9. Stabilizer clamp |
| 10. Upper seat | 11. Coil spring | 12. Damper assembly (AWD model) |
| 13. Rear lower link | 14. Front lower link | 15. Radius rod |
| 16. Cotter pin | 17. Axle assembly | 18. Rubber seat |
| 19. Ball seat | 20. Shock absorber | 21. Bound bumper cover |
| 22. Shock absorber mounting bracket | 23. Mounting seal | 24. Piston rod lock nut |

Refer to [GI-4, "Components"](#) for symbols in the figure.

TYPE B

TYPE B : Exploded View

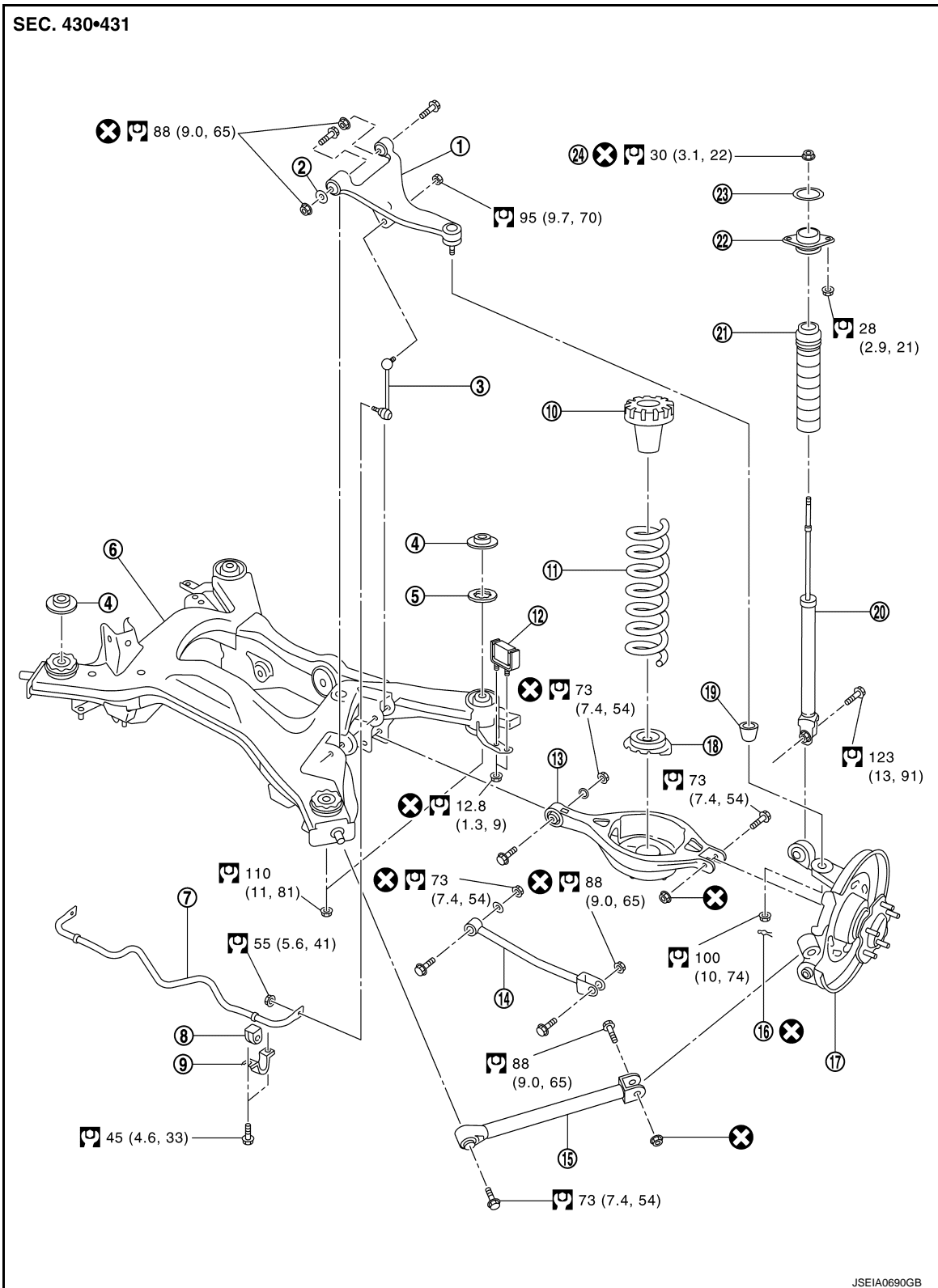
INFOID:000000009329225

NOTE:

About the type, refer to [RSU-3, "Application Notice"](#).

RADIUS ROD

< REMOVAL AND INSTALLATION >



- | | | |
|------------------------------|-----------------------|---------------------------------|
| 1. Suspension arm | 2. Stopper rubber | 3. Stabilizer connecting rod |
| 4. Upper stopper (AWD model) | 5. Mount stopper | 6. Suspension member |
| 7. Stabilizer bar | 8. Stabilizer bushing | 9. Stabilizer clamp |
| 10. Upper seat | 11. Coil spring | 12. Damper assembly (AWD model) |
| 13. Rear lower link | 14. Front lower link | 15. Radius rod |
| 16. Cotter pin | 17. Axle assembly | 18. Rubber seat |

A
B
C
D
RSU
F
G
H
I
J
K
L
M
N
O
P

RADIUS ROD

< REMOVAL AND INSTALLATION >

- | | | |
|-------------------------------------|--------------------|-------------------------|
| 19. Ball seat | 20. Shock absorber | 21. Bound bumper cover |
| 22. Shock absorber mounting bracket | 23. Mounting seal | 24. Piston rod lock nut |
- Refer to [GI-4. "Components"](#) for symbols in the figure.

Removal and Installation

INFOID:000000007463559

REMOVAL

1. Remove tire with power tool.
2. Set suitable jack under axle assembly.
3. Remove radius rod mounting bolts and nuts (axle housing side).
4. Remove radius rod mounting bolt (rear suspension member side), and then remove radius rod.

INSTALLATION

Note the following, and install in the reverse order of removal.

- Perform final tightening of rear suspension member and axle installation position (rubber bushing), under unladen conditions with tires on level ground.

Inspection

INFOID:000000007463560

INSPECTION AFTER REMOVAL

Check radius rod and bushing for any deformation, cracks, or damage. Replace if necessary.

INSPECTION AFTER INSTALLATION

Check wheel alignment. Refer to [RSU-8. "Inspection"](#).

FRONT LOWER LINK

< REMOVAL AND INSTALLATION >

FRONT LOWER LINK

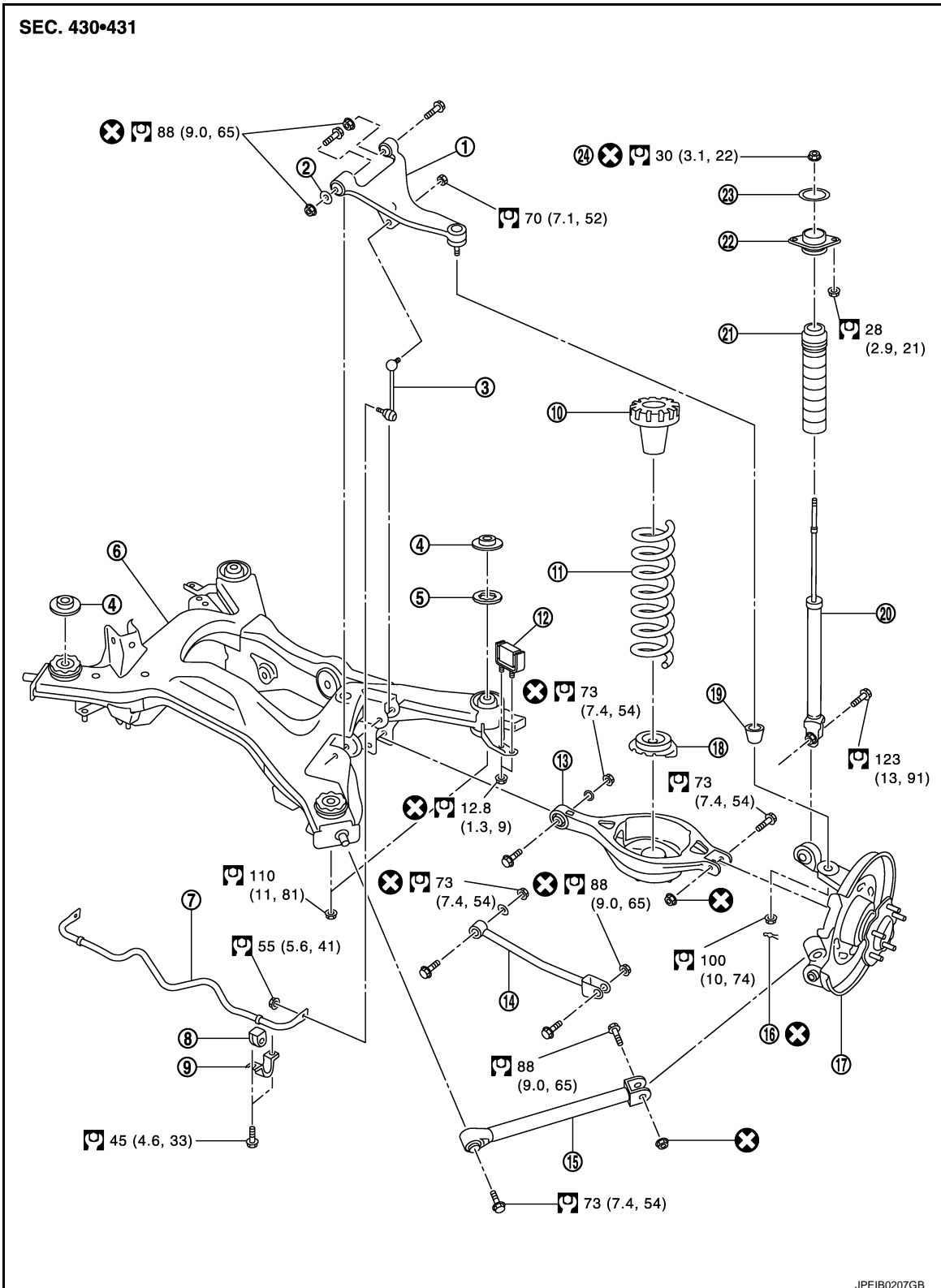
TYPE A

TYPE A : Exploded View

INFOID:000000009329226

NOTE:

About the type, refer to [RSU-3, "Application Notice"](#).



A

B

C

D

RSU

F

G

H

I

J

K

L

M

N

O

P

FRONT LOWER LINK

< REMOVAL AND INSTALLATION >

- | | | |
|-------------------------------------|-----------------------|---------------------------------|
| 1. Suspension arm | 2. Stopper rubber | 3. Stabilizer connecting rod |
| 4. Upper stopper (AWD model) | 5. Mount stopper | 6. Suspension member |
| 7. Stabilizer bar | 8. Stabilizer bushing | 9. Stabilizer clamp |
| 10. Upper seat | 11. Coil spring | 12. Damper assembly (AWD model) |
| 13. Rear lower link | 14. Front lower link | 15. Radius rod |
| 16. Cotter pin | 17. Axle assembly | 18. Rubber seat |
| 19. Ball seat | 20. Shock absorber | 21. Bound bumper cover |
| 22. Shock absorber mounting bracket | 23. Mounting seal | 24. Piston rod lock nut |

Refer to [GI-4, "Components"](#) for symbols in the figure.

TYPE B

TYPE B : Exploded View

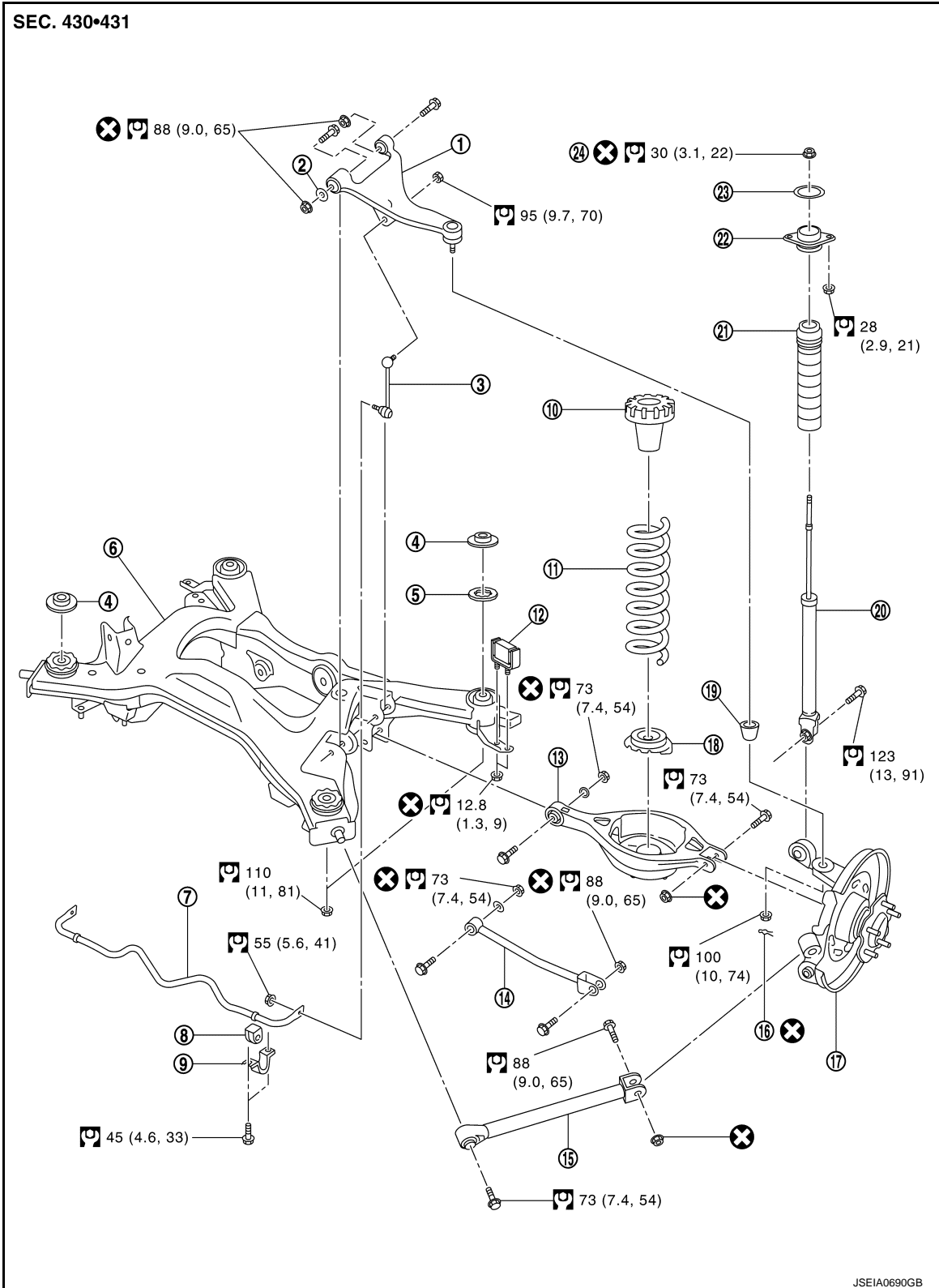
INFOID:000000009329227

NOTE:

About the type, refer to [RSU-3, "Application Notice"](#).

FRONT LOWER LINK

< REMOVAL AND INSTALLATION >



- | | | |
|------------------------------|-----------------------|---------------------------------|
| 1. Suspension arm | 2. Stopper rubber | 3. Stabilizer connecting rod |
| 4. Upper stopper (AWD model) | 5. Mount stopper | 6. Suspension member |
| 7. Stabilizer bar | 8. Stabilizer bushing | 9. Stabilizer clamp |
| 10. Upper seat | 11. Coil spring | 12. Damper assembly (AWD model) |
| 13. Rear lower link | 14. Front lower link | 15. Radius rod |
| 16. Cotter pin | 17. Axle assembly | 18. Rubber seat |

A
B
C
D
RSU
F
G
H
I
J
K
L
M
N
O
P

FRONT LOWER LINK

< REMOVAL AND INSTALLATION >

- | | | |
|-------------------------------------|--------------------|-------------------------|
| 19. Ball seat | 20. Shock absorber | 21. Bound bumper cover |
| 22. Shock absorber mounting bracket | 23. Mounting seal | 24. Piston rod lock nut |
- Refer to [GI-4, "Components"](#) for symbols in the figure.

Removal and Installation

INFOID:000000007463562

REMOVAL

1. Remove tire with power tool.
2. Set suitable jack under axle assembly to relieve the coil spring tension.
3. Remove front lower link mounting bolts and nuts (rear suspension member side).
4. Remove front lower link mounting bolts and nuts (axle housing side).
5. Remove front lower link.

INSTALLATION

Note the following, and install in the reverse order of removal.

- Perform final tightening of rear suspension member and axle installation position (rubber bushing), under unladen conditions with tires on level ground.

Inspection

INFOID:000000007463563

INSPECTION AFTER REMOVAL

Check front lower link and bushing for any deformation, cracks, or damage. Replace if necessary.

INSPECTION AFTER INSTALLATION

Check wheel alignment. Refer to [RSU-8, "Inspection"](#).

REAR STABILIZER

< REMOVAL AND INSTALLATION >

- | | | |
|-------------------------------------|-----------------------|---------------------------------|
| 1. Suspension arm | 2. Stopper rubber | 3. Stabilizer connecting rod |
| 4. Upper stopper (AWD model) | 5. Mount stopper | 6. Suspension member |
| 7. Stabilizer bar | 8. Stabilizer bushing | 9. Stabilizer clamp |
| 10. Upper seat | 11. Coil spring | 12. Damper assembly (AWD model) |
| 13. Rear lower link | 14. Front lower link | 15. Radius rod |
| 16. Cotter pin | 17. Axle assembly | 18. Rubber seat |
| 19. Ball seat | 20. Shock absorber | 21. Bound bumper cover |
| 22. Shock absorber mounting bracket | 23. Mounting seal | 24. Piston rod lock nut |

Refer to [GI-4, "Components"](#) for symbols in the figure.

TYPE B

TYPE B : Exploded View

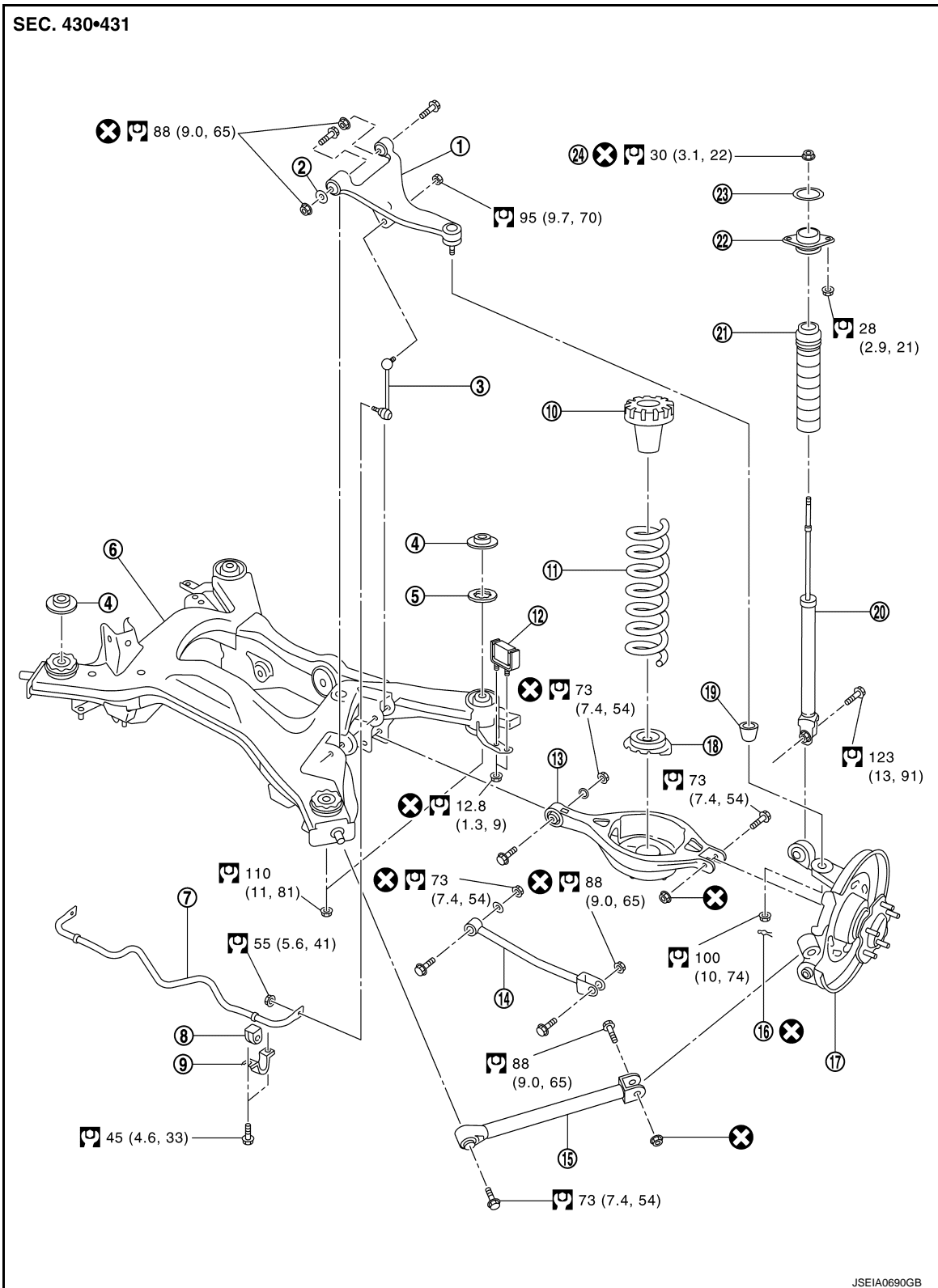
INFOID:000000009329229

NOTE:

About the type, refer to [RSU-3, "Application Notice"](#).

REAR STABILIZER

< REMOVAL AND INSTALLATION >



- | | | |
|------------------------------|-----------------------|---------------------------------|
| 1. Suspension arm | 2. Stopper rubber | 3. Stabilizer connecting rod |
| 4. Upper stopper (AWD model) | 5. Mount stopper | 6. Suspension member |
| 7. Stabilizer bar | 8. Stabilizer bushing | 9. Stabilizer clamp |
| 10. Upper seat | 11. Coil spring | 12. Damper assembly (AWD model) |
| 13. Rear lower link | 14. Front lower link | 15. Radius rod |
| 16. Cotter pin | 17. Axle assembly | 18. Rubber seat |

A
B
C
D
RSU
F
G
H
I
J
K
L
M
N
O
P

REAR STABILIZER

< REMOVAL AND INSTALLATION >

- | | | |
|-------------------------------------|--------------------|-------------------------|
| 19. Ball seat | 20. Shock absorber | 21. Bound bumper cover |
| 22. Shock absorber mounting bracket | 23. Mounting seal | 24. Piston rod lock nut |

Refer to [GI-4. "Components"](#) for symbols in the figure.

Removal and Installation

INFOID:000000007463565

REMOVAL

1. Remove mounting bracket of center muffler and remove mounting rubber of main muffler. Refer to [EX-5. "Exploded View"](#).
2. Remove stabilizer connecting rod mounting nuts (lower side), and remove stabilizer connecting rod from stabilizer bar.
3. Remove mounting nuts on stabilizer clamp and remove stabilizer bar.

INSTALLATION

Note the following, and install in the reverse order of removal.

- Tighten the mounting nut to the specified torque while holding a hexagonal part of stabilizer connecting rod side.

Inspection

INFOID:000000007463566

INSPECTION AFTER REMOVAL

Check stabilizer bar, stabilizer connecting rod, stabilizer bushing and stabilizer clamp for deformation, cracks or damage. Replace it if a malfunction is detected.

REAR SUSPENSION MEMBER

< UNIT REMOVAL AND INSTALLATION >

UNIT REMOVAL AND INSTALLATION

REAR SUSPENSION MEMBER

TYPE A

TYPE A : Exploded View

INFOID:000000009329230

NOTE:

About the type, refer to [RSU-3, "Application Notice"](#).

A

B

C

D

RSU

F

G

H

I

J

K

L

M

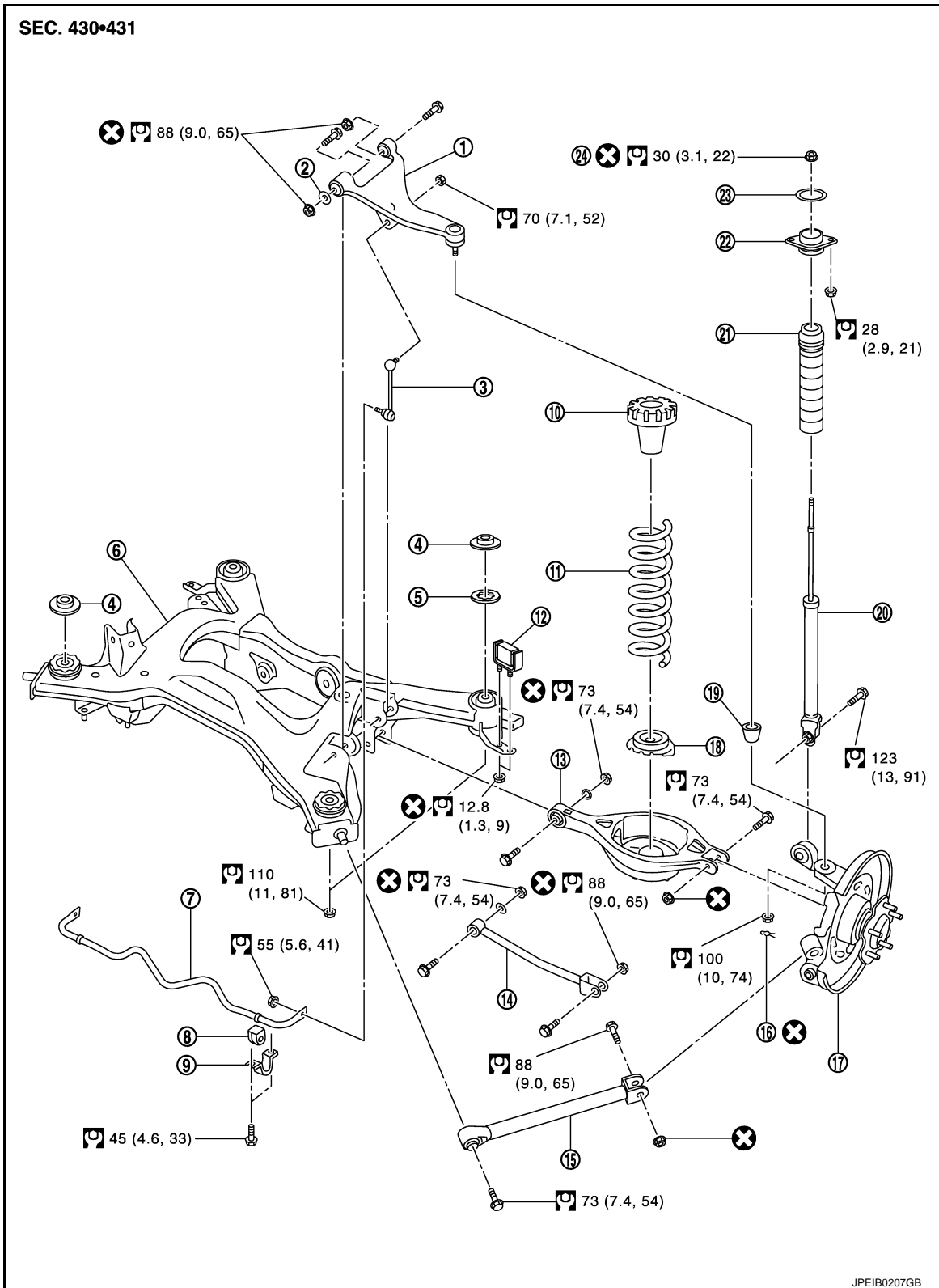
N

O

P

REAR SUSPENSION MEMBER

< UNIT REMOVAL AND INSTALLATION >



- | | | |
|------------------------------|-----------------------|---------------------------------|
| 1. Suspension arm | 2. Stopper rubber | 3. Stabilizer connecting rod |
| 4. Upper stopper (AWD model) | 5. Mount stopper | 6. Suspension member |
| 7. Stabilizer bar | 8. Stabilizer bushing | 9. Stabilizer clamp |
| 10. Upper seat | 11. Coil spring | 12. Damper assembly (AWD model) |
| 13. Rear lower link | 14. Front lower link | 15. Radius rod |
| 16. Cotter pin | 17. Axle assembly | 18. Rubber seat |

REAR SUSPENSION MEMBER

< UNIT REMOVAL AND INSTALLATION >

- | | | |
|-------------------------------------|--------------------|-------------------------|
| 19. Ball seat | 20. Shock absorber | 21. Bound bumper cover |
| 22. Shock absorber mounting bracket | 23. Mounting seal | 24. Piston rod lock nut |
- Refer to [GI-4. "Components"](#) for symbols in the figure.

TYPE B

TYPE B : Exploded View

INFOID:000000009329231

NOTE:

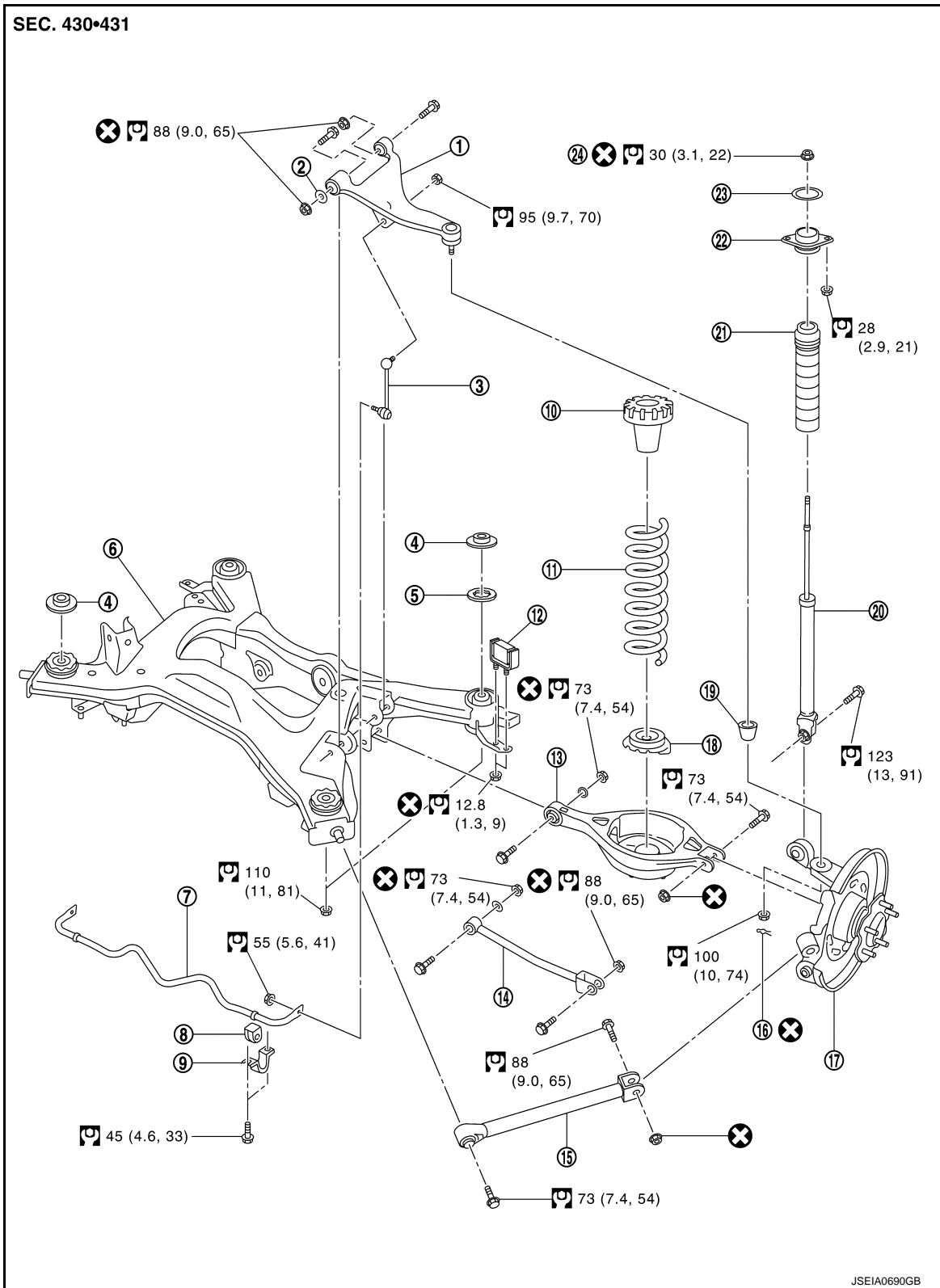
About the type, refer to [RSU-3. "Application Notice"](#).

A
B
C
D
E
F
G
H
I
J
K
L
M
N
O
P

RSU

REAR SUSPENSION MEMBER

< UNIT REMOVAL AND INSTALLATION >



- | | | |
|------------------------------|-----------------------|---------------------------------|
| 1. Suspension arm | 2. Stopper rubber | 3. Stabilizer connecting rod |
| 4. Upper stopper (AWD model) | 5. Mount stopper | 6. Suspension member |
| 7. Stabilizer bar | 8. Stabilizer bushing | 9. Stabilizer clamp |
| 10. Upper seat | 11. Coil spring | 12. Damper assembly (AWD model) |
| 13. Rear lower link | 14. Front lower link | 15. Radius rod |
| 16. Cotter pin | 17. Axle assembly | 18. Rubber seat |

REAR SUSPENSION MEMBER

< UNIT REMOVAL AND INSTALLATION >

- | | | |
|-------------------------------------|--------------------|-------------------------|
| 19. Ball seat | 20. Shock absorber | 21. Bound bumper cover |
| 22. Shock absorber mounting bracket | 23. Mounting seal | 24. Piston rod lock nut |
- Refer to [GI-4, "Components"](#) for symbols in the figure.

Removal and Installation

INFOID:000000009329232

REMOVAL

1. Remove tires from vehicle with power tool.
 2. Remove caliper assembly. Hang caliper assembly in a place where it will not interfere with work. Refer to [BR-61, "BRAKE CALIPER ASSEMBLY \(1 PISTON TYPE\) : Exploded View"](#) (1 piston type), [BR-65, "BRAKE CALIPER ASSEMBLY \(2 PISTON TYPE\) : Exploded View"](#) (2 piston type).
- CAUTION:**
Avoid depressing brake pedal while brake caliper is removed.
3. Remove disc rotor. Refer to [BR-62, "BRAKE CALIPER ASSEMBLY \(1 PISTON TYPE\) : Removal and Installation"](#) (1 piston type), [BR-66, "BRAKE CALIPER ASSEMBLY \(2 PISTON TYPE\) : Removal and Installation"](#) (2 piston type).
 4. Remove wheel sensor and sensor harness from axle assembly and suspension arm. Refer to [BRC-111, "REAR WHEEL SENSOR : Exploded View"](#).
 5. Remove center muffler and main muffler. Refer to [EX-5, "Exploded View"](#).
 6. Remove stabilizer bar. Refer to [RSU-33, "TYPE A : Exploded View"](#) (Type A), [RSU-34, "TYPE B : Exploded View"](#) (Type B).
 7. Remove drive shaft. Refer to [RAX-10, "Exploded View"](#).
 8. Remove propeller shaft. Refer to [DLN-87, "Exploded View"](#) (3S80A), [DLN-95, "Exploded View"](#) (3S80A-R), [DLN-104, "Exploded View"](#) (3S80A-1VL107).
 9. Remove harness from rear final drive and suspension member.
 10. Remove final drive. Refer to [DLN-275, "M/T : Exploded View"](#) [R200V (M/T)], [DLN-277, "A/T : Exploded View"](#) [R200V (A/T)], [DLN-184, "2WD \(VQ37VHR\) : Exploded View"](#) [R200 (2WD)], [DLN-185, "AWD : Exploded View"](#) [R200 (AWD)].
 11. Remove parking brake cable mounting bolt and separate parking brake cable from vehicle and suspension member. Refer to [PB-6, "PEDAL TYPE : Exploded View"](#) (pedal type), [PB-7, "LEVER TYPE : Exploded View"](#) (lever type).
 12. Remove mounting bolts in lower side of shock absorber.
 13. Remove rear lower link and coil spring. Refer to [RSU-10, "TYPE A : Exploded View"](#) (Type A), [RSU-12, "TYPE B : Exploded View"](#) (Type B).
 14. Set suitable jack under suspension member.
 15. Remove mounting nuts suspension member.
 16. Slowly lower jack, then remove suspension member, suspension arm, radius rod, front lower link and axle from vehicle as a unit.
 17. Remove upper stopper and damper assembly from suspension member. (AWD models)
 18. Remove mounting bolts and nuts, then remove mount stopper, suspension arm, front lower link, and radius rod from suspension member.

INSTALLATION

Note the following, and install in the reverse order of the removal.

- Perform the final tightening of each of parts under unladen conditions, which were removed when removing rear suspension assembly.
- Check wheel sensor harness for proper connection. Refer to [BRC-111, "REAR WHEEL SENSOR : Exploded View"](#).

CAUTION:

Never reuse cotter pin.

Inspection

INFOID:000000007463569

INSPECTION AFTER REMOVAL

Check front suspension member for deformation, cracks, or any other damage. Replace if necessary.

REAR SUSPENSION MEMBER

< UNIT REMOVAL AND INSTALLATION >

INSPECTION AFTER INSTALLATION

- Adjust parking brake operation (stroke). [PB-3, "PEDAL TYPE : Inspection and Adjustment"](#) (pedal type), [PB-4, "LEVER TYPE : Inspection and Adjustment"](#) (lever type).
- Check wheel alignment. Refer to [RSU-8, "Inspection"](#).

SERVICE DATA AND SPECIFICATIONS (SDS)

< SERVICE DATA AND SPECIFICATIONS (SDS)

SERVICE DATA AND SPECIFICATIONS (SDS)

SERVICE DATA AND SPECIFICATIONS (SDS)

Wheel Alignment

INFOID:000000007463570

Item		Standard		
Applied model		2WD		AWD
		Except for sports models	For sports models	
Camber Degree minute (Decimal degree)	Minimum	-1° 20' (-1.33°)	-1° 25' (-1.42°)	
	Nominal	-0° 50' (-0.83°)	-0° 55' (-0.92°)	
	Maximum	-0° 20' (-0.33°)	-0° 25' (-0.42°)	
Toe-in	Total toe-in Distance	Minimum	0 mm (0 in)	
		Nominal	In 2.8 mm (In 0.110 in)	
		Maximum	In 5.6 mm (In 0.220 in)	
	Total toe-angle Degree minute (Decimal degree)	Minimum	0° 00' (0.00°)	
		Nominal	In 0° 14' 24" (In 0.24°)	
		Maximum	In 0° 28' 12" (In 0.47°)	

Measure value under unladen* conditions.

*: Fuel, engine coolant and lubricant are full. Spare tire, jack, hand tools and mats are in designated positions.

Ball Joint

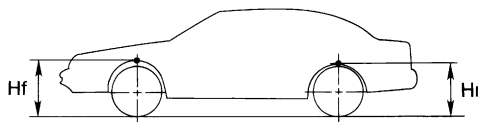
INFOID:000000007463571

Item	Standard
Swing torque	0.5 – 3.4 N·m (0.06 – 0.34 kg·m, 5 – 30 in·lb)
Measurement on spring balance (cotter pinhole position)	8.1 – 54.8 N (0.83 – 5.6 kg, 1.82 – 12.32 lb)
Rotating torque	0.5 – 3.4 N·m (0.06 – 0.34 kg·m, 5 – 30 in·lb)
Axial end play	0 mm (0 in)

Wheelarch Height

INFOID:000000007463572

Item	Standard				
	2WD		AWD		
Applied model	Except for sports models		For sports models		
Wheel size	17 inch	18 inch		17 inch	18 inch
Front (Hf)	714 mm (28.11 in)	716 mm (28.19 in)	715 mm (28.15 in)	725 mm (28.54 in)	730 mm (28.74 in)
Rear (Hr)	707 mm (27.83 in)	709 mm (27.91 in)	705 mm (27.76 in)	720 mm (28.35 in)	724 mm (28.50 in)



SFA818A

Measure value under unladen* conditions.

SERVICE DATA AND SPECIFICATIONS (SDS)

< SERVICE DATA AND SPECIFICATIONS (SDS)

*: Fuel, engine coolant and lubricant are full. Spare tire, jack, hand tools and mats are in designated positions.